

Skyscreen Roller Concealed Order Form and Product Guide

Customer _____
 Address _____

Tel _____
 Fax _____
 Mobile _____
 Email _____

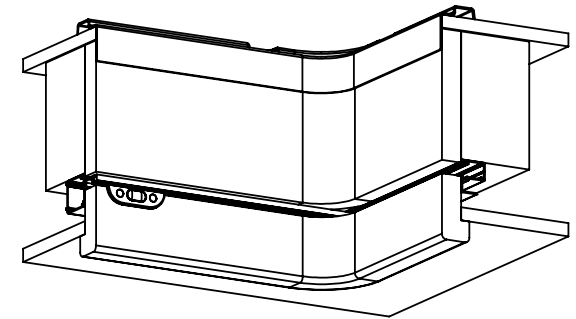
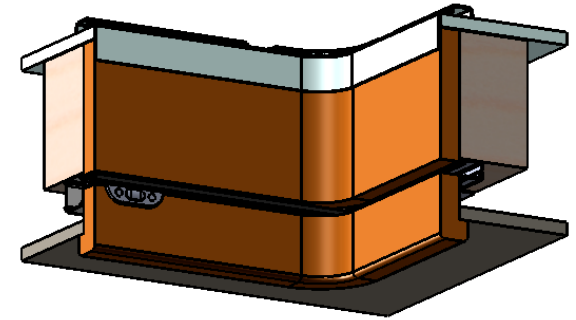
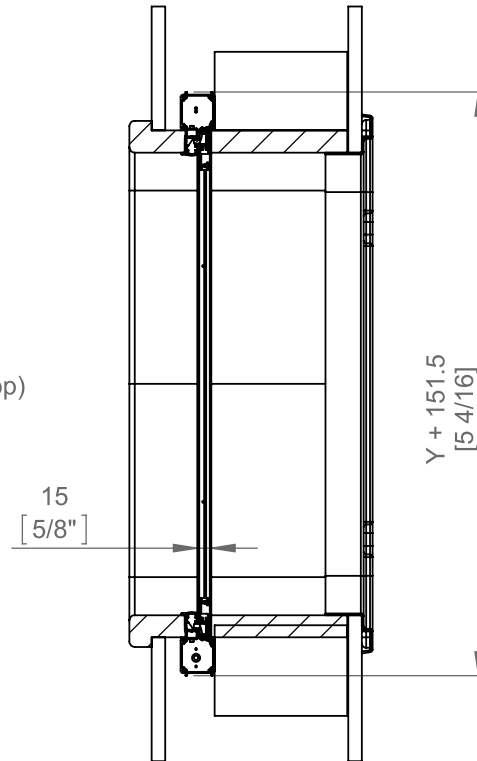
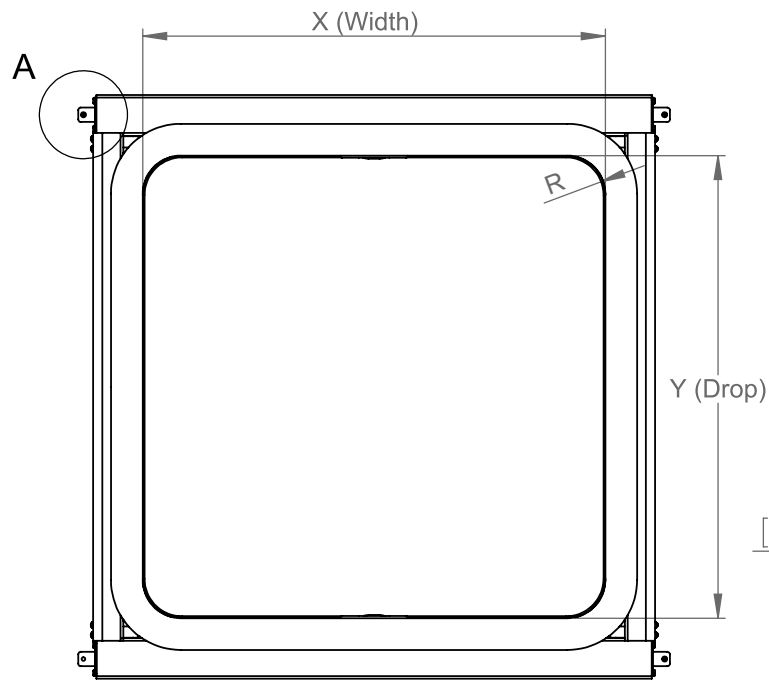
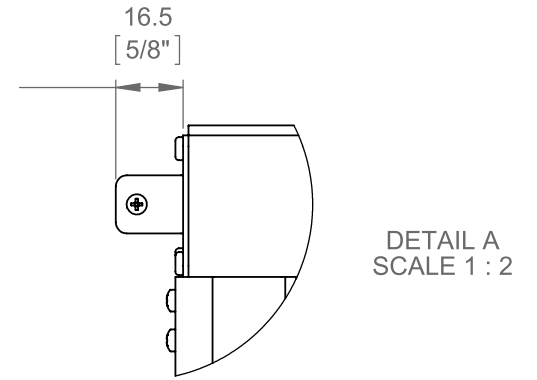
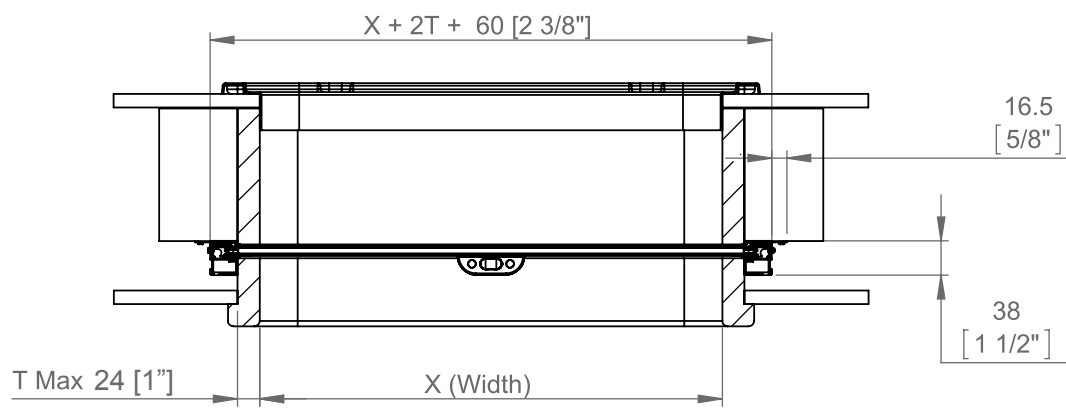
Order _____
 Quote _____
 Project Name _____
 Project Location _____
 Date _____

Item	Window ID	Width (X) ¹	Drop (Y) ¹	Button Housing Colour	Format / Fabric Type	Blind fabric code	Customer supplied Trim thickness ²	Qty
1				White Chrome Dark grey	Full travel	Blind/Fly		
					Meet in the Middle	Blind/Blind Fly/Fly		
2				White Chrome Dark grey	Full travel	Blind/Fly		
					Meet in the Middle	Blind/Blind Fly/Fly		
3				White Chrome Dark grey	Full travel	Blind/Fly		
					Meet in the Middle	Blind/Blind Fly/Fly		

1. If the Y measurement exceeds the X measurement by 30%, contact manufacturer for assessment before order.
2. Trim thickness cannot exceed 24mm (1") unless handle is re-fitted with larger screws (not supplied). Overall width dimensions will be affected by trim thickness.

	Width	Drop
Min	200mm [77/8"]	200mm [77/8"]
Max	800mm [31½"]	800mm [31½"]

Skyscreen Roller Concealed Order Form and Product Guide



The maximum thickness can be up to 24mm [1"]